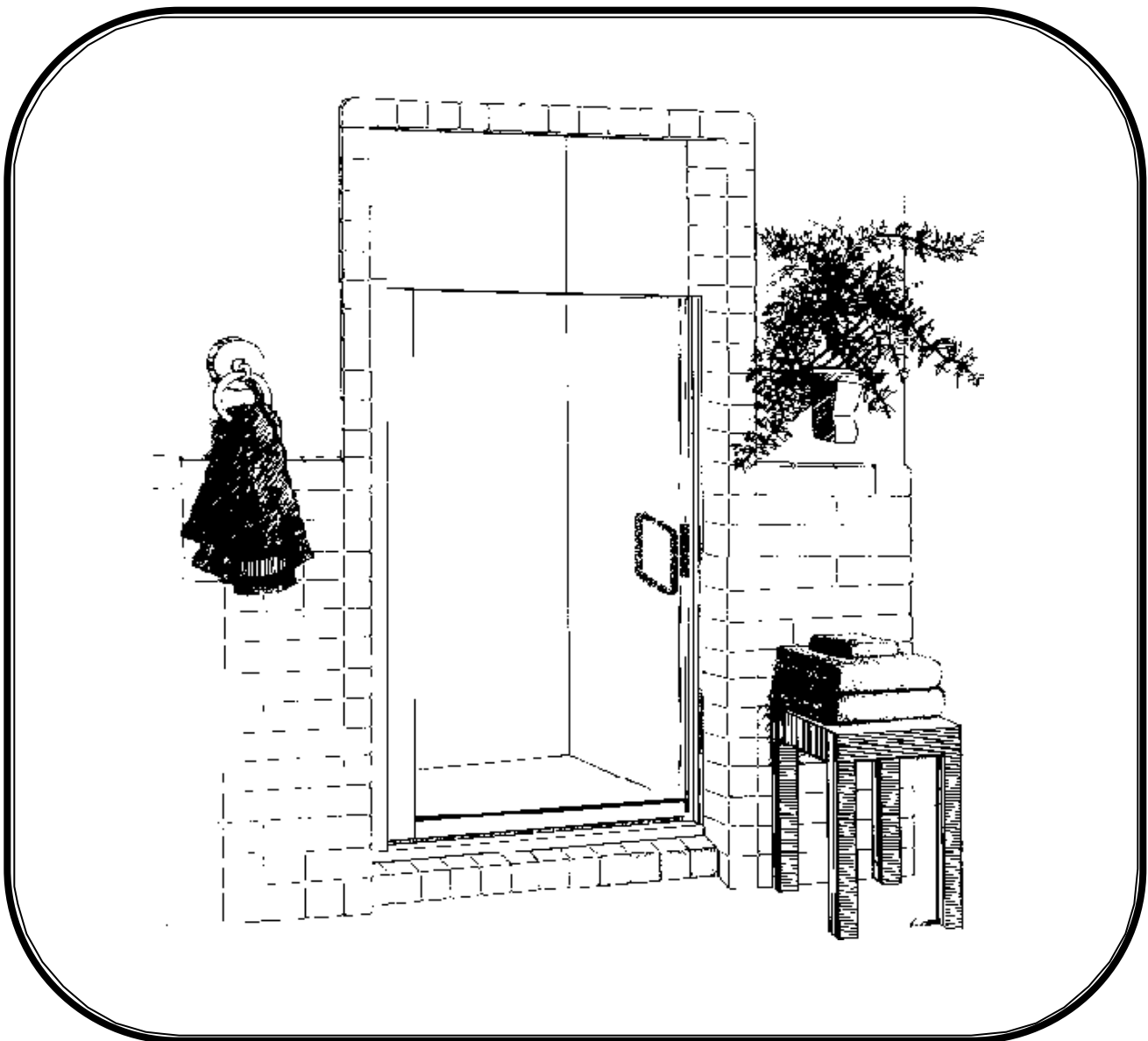




INSTALLATION
INSTRUCTIONS

UNIT No. 1400/1700 INFINITY FRAMELESS SHOWER DOOR



MAINTENANCE: Two primary materials are used to manufacture your new Basco enclosure: tempered glass and anodized aluminum. To assure a long lasting finish on the enclosure, wipe it down with a towel after each use. Never use a scouring agent to clean the aluminum.

For occasional, more concentrated cleaning efforts, we find that *Comet Non-Abrasive Bathroom Cleaner* works extremely well. Be sure that any over spray falling on the aluminum frame is rinsed thoroughly and dried. Many over-the-counter cleaners, if applied to the aluminum and left on, will harm the metal finish and cause permanent damage, even though their directions indicate safe use on shower doors.

INSTALLATION NOTES: Unpack your unit carefully and inspect for freight damage. Lay out and identify all parts using the instruction sheets as a reference. Before discarding the carton, check to see that no small hardware parts have fallen to the bottom of the box. If any parts are damaged or missing, refer to the descriptions noted in the instructions when contacting your dealer for replacements.

Handle the glass panels carefully and protect the edges. Safety tempered glass is very resistant to breakage, but the sharp corners of the panels can damage tile and floor surfaces.

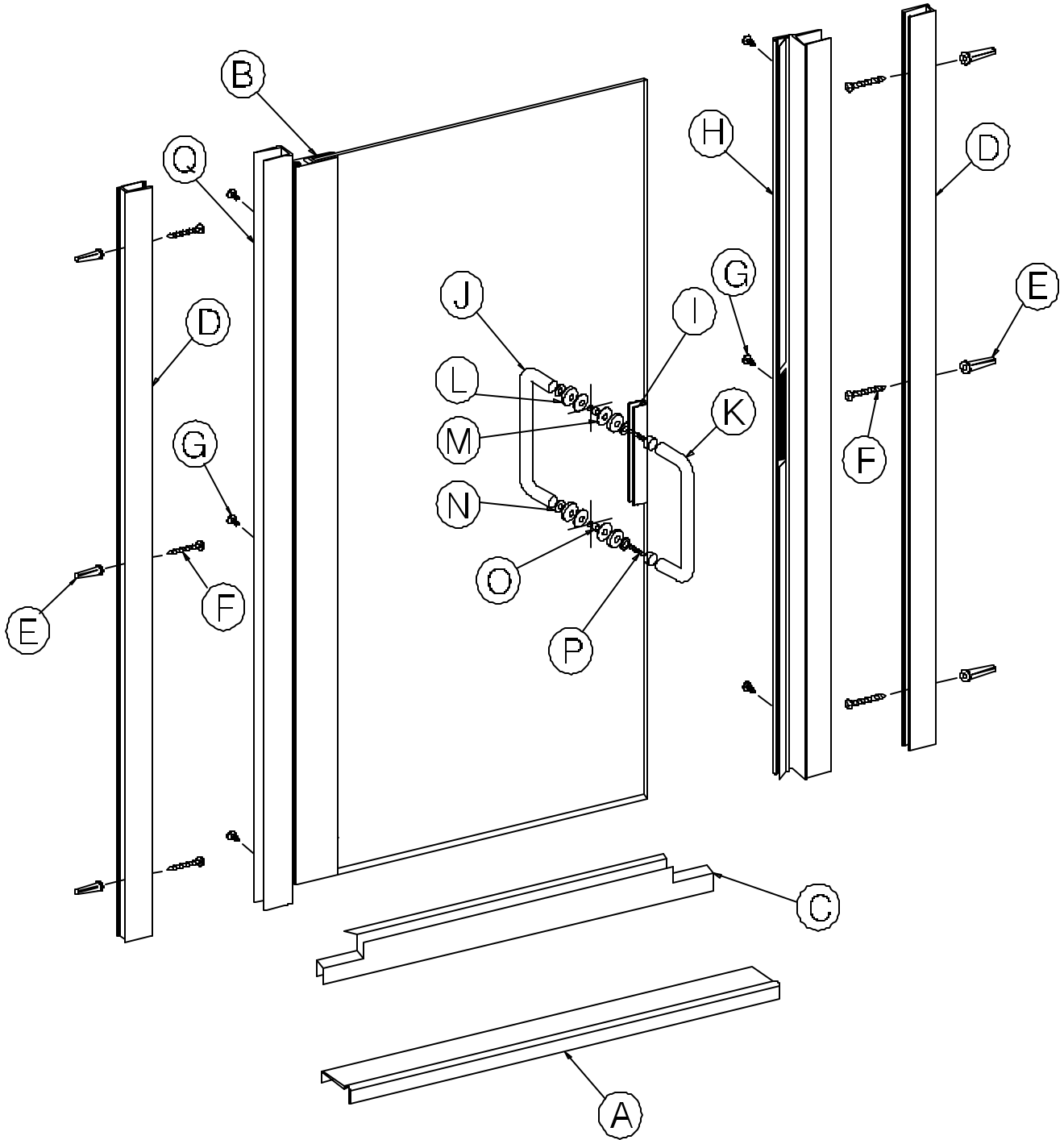
Please wear safety glasses whenever drilling or cutting. When drilling holes in the ceramic tile or marble, use a center punch and hammer to carefully break the surface glaze so the drill can start without skidding.

To install your BASCO Shower Door you will need the following: tape measure, level, #2 Phillips screwdriver, drill, 1/8" and 3/16" drill bits, hacksaw, pencil, and caulking (clear silicone recommended). Optional tools include a miter box for cutting parts to length, files, center punch, and masking tape.

NOTE: Tempered glass cannot be cut.

1400/1700 PARTS LIST

- | | |
|------------------------------------|------------------------|
| A. 1 Shower Curb | I. 1 Magnetic Latch |
| B. 1 Glazed Door Panel Assembly | J. 1 Interior Handle |
| C. 1 Clear Bottom Sweep | K. 1 Exterior Handle |
| D. 2 Wall Jamb | L. 4 Metal Washers |
| E. 6 Plastic Wall Anchors | M. 4 Large Clear Disks |
| F. 6 #8 x 1-1/2" Truss Head Screws | N. 4 Small Clear Disks |
| G. 6 #6 x 3/8" Pan Head Screws | O. 2 Bushings |
| H. 1 Strike Jamb w/ Magnet | P. 2 Stud Screws |

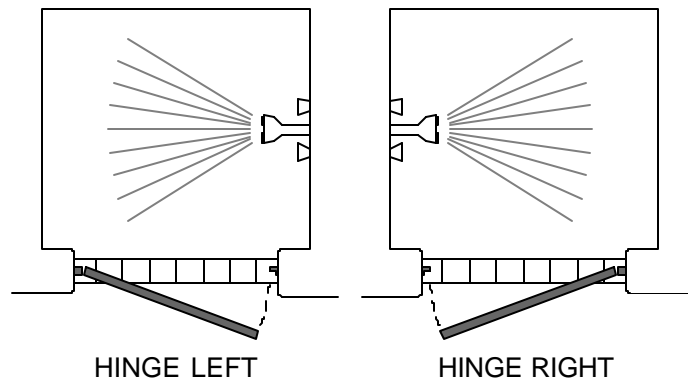


1

The 1400/1700 Continuous Hinge Shower Door is completely reversible and may be installed hinge-right or hinge-left. Refer to the illustration to determine the correct position for your installation. For maximum waterproofing, the hinge jamb should always be opposite the shower head. These instructions depict a hinge-left installation.

CAUTION: For safety, the door must *always* open outward.

NOTE: To allow this unit to be reversible, the hinge jamb & wall jamb extends 9/16" beyond both ends of the door panel. Once the proper door orientation has been determined (see above) the 9/16" extension at the top of the door can be cut off for better appearance.

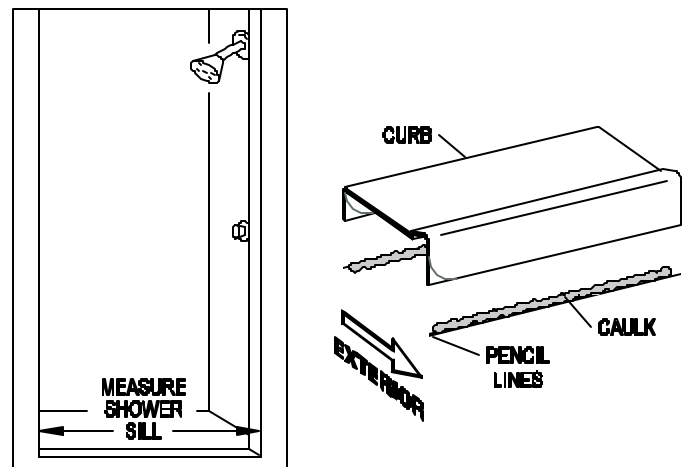


2

NOTE: The Basco unit may be installed without using the sloped curb [A] provided. Its use is definitely recommended for positive water control on shower sills with little or no slope.

Measure the wall to wall opening at the shower sill and cut the curb to the exact length. File the ends of curb as necessary to fit the corner contours of the enclosure. Place the curb on the shower sill with the **RAISED** portion to the exterior of the enclosure. Make sure the curb is centered on the sill and lightly mark its position on the sill with a pencil.

Remove the curb from the sill and run two beads of caulk inside the penciled marks on the shower sill. Place the curb in the exact position marked and seat it firmly in the caulking to hold curb in place while installing the rest of the unit. Use masking tape to hold curb down on the threshold.

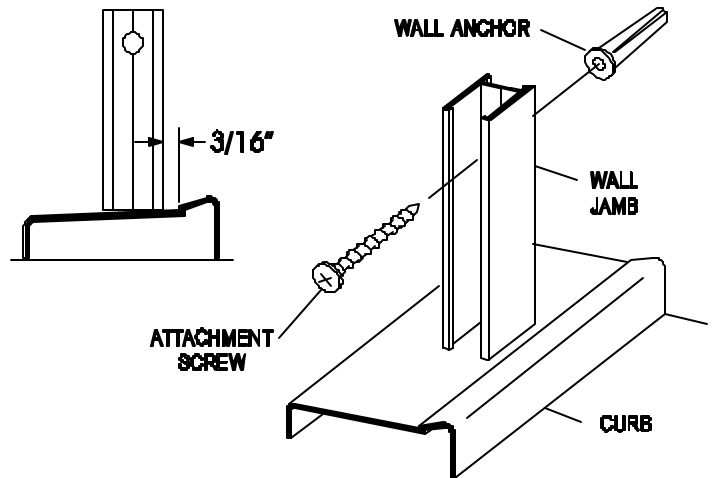


3

NOTE: Wall jambs for this unit are different lengths. Be sure to use longer wall jamb for the hinge side.

Place the **longer** wall jamb [D] against the hinge side wall with the bottom end 3/16" from the raised side of the curb [A]. Plumb the jamb and mark the hole locations on the wall. Repeat for the **strike** side using the **shorter** wall jamb.

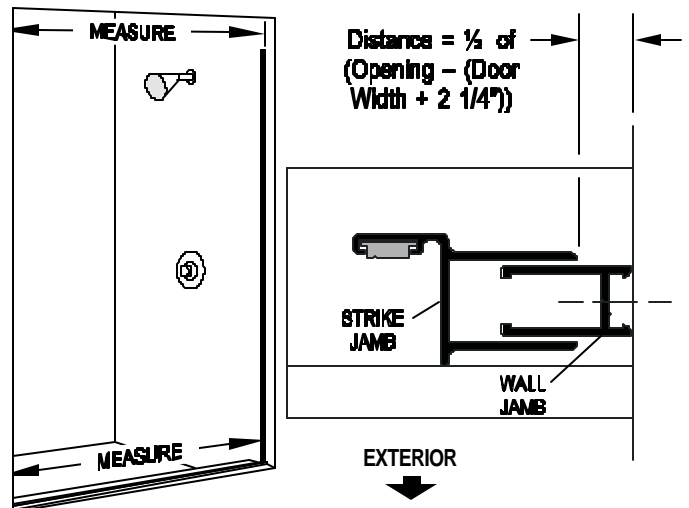
Remove all parts and drill the walls for mounting hardware. For tile or marble walls, drill six 3/16" diameter holes and insert plastic wall anchors [E]. Attachments to fiberglass or acrylic units can be made in two ways. If reinforcement is built into the wall of unit, drill six 1/8" holes and install mounting screws directly into the reinforcement. If walls are not reinforced, drill 3/16" holes and install plastic wall anchors or toggle bolts (toggle bolts not supplied by Basco). Replace each wall jamb and attach them to the wall with three #8 x 1 1/2" truss head screws [K].



4

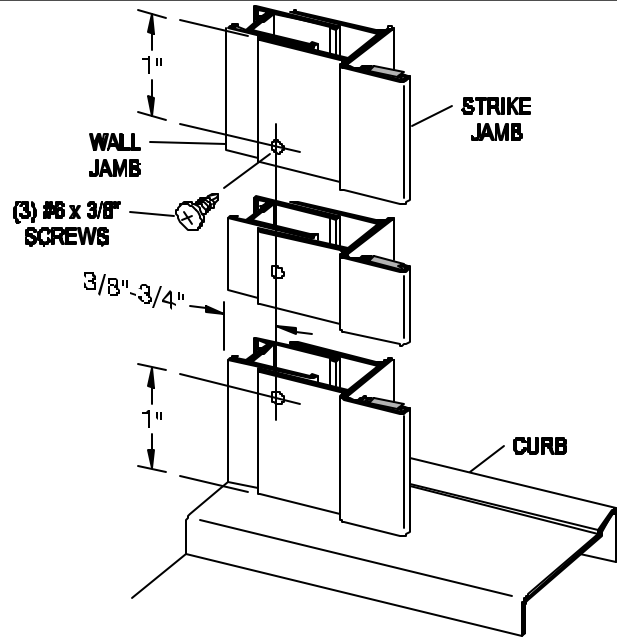
Slide the strike jamb [H] over one of the mounted wall jambs [D] with the magnet facing outward.

Measure the wall-to-wall opening at the top and at the bottom of the wall jambs and note the smaller dimension. Measure the entire width of the door panel [B] from the outside edge of the side rail to the edge of the glass on the strike side. Add 2 1/4" to the door width, subtract the total from the minimum wall-to-wall opening and divide the result by two. This should be the distance from the wall to the strike jamb at the closest point. Plumb the strike jamb vertically and mark its location on the wall jamb with a pencil.



5

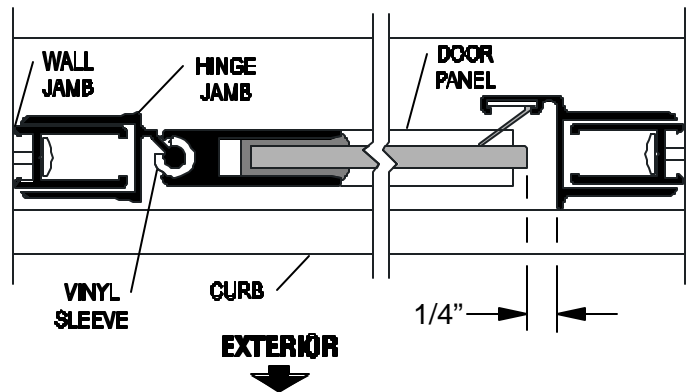
Inside the shower enclosure, drill two 1/8" holes through the strike jamb [H] and into the wall jamb [D] 3/8" to 3/4" from the wall and approximately 1" vertically from each end of the strike jamb. Drill a third hole centered between the first two, then enlarge the three outer holes with a 3/16" drill for clearance on the self-tapping screws. Attach the strike jamb permanently with three #6 x 3/8" pan head screws [G].



6

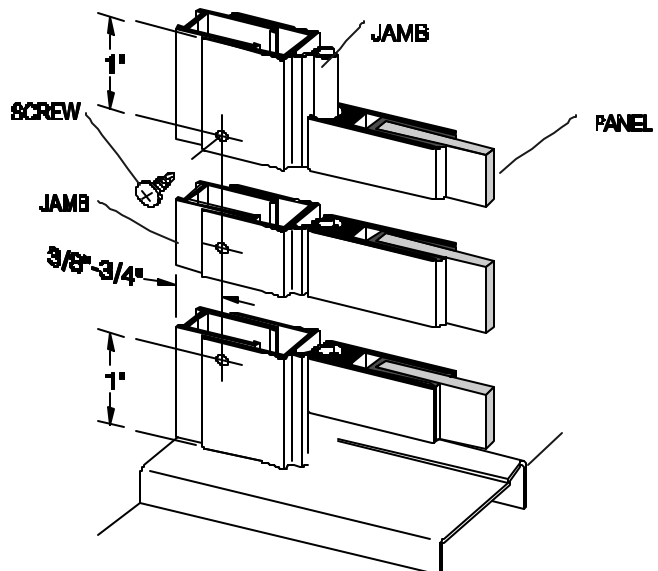
Slide the hinge jamb of the door panel assembly [B] over the mounted wall jamb [D] so the door will open outward.

Adjust the door panel assembly so there is 1/4" clearance between the strike jamb and the strike edge of the glass door panel in the closed position. Mark the location of the hinge jamb on the wall jamb with a pencil.



7

Inside the shower enclosure, drill two 1/8" holes through the hinge jamb and into the wall jamb [D] 3/8" to 3/4" from the wall and approximately 1" vertically from each end of the hinge jamb. Drill a third hole centered between the first two, then enlarge the three outer holes with a 3/16" drill for clearance on the self-tapping screws. Attach the door panel assembly permanently with three #6 x 3/8" pan head screws [G].

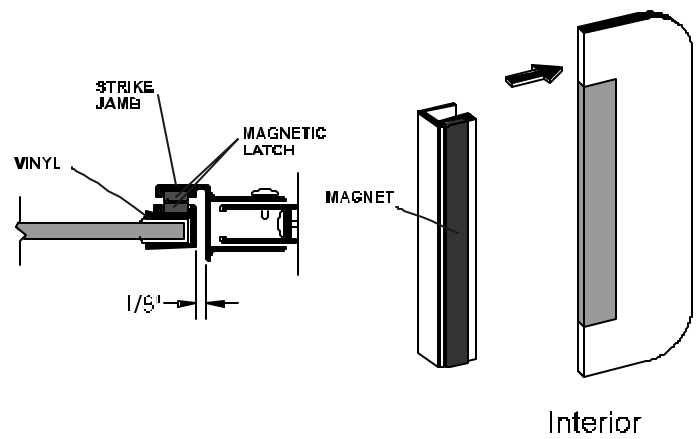


8 Slide the door [J] magnet onto the strike edge of the door panel. Close the door and slide the handle up or down until the two magnetic strips are aligned. Use a pencil or masking tape the mark the location of the magnet on the door.

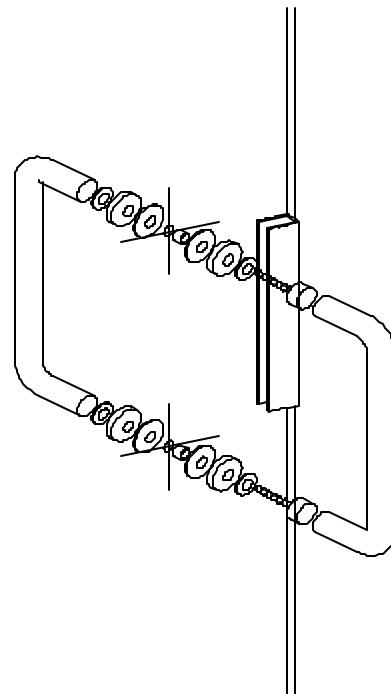
Slip the vinyl material onto the door between the marks and carefully drive the door magnet on the door panel. Trim excess vinyl material off with a utility knife.

Close the door and check for proper operation of the magnetic catch.

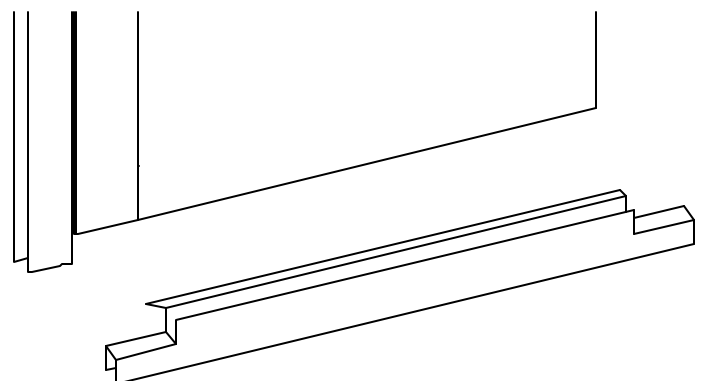
NOTE: Never hit the door magnet with a metal hammer.



9 SEE SUPPLEMENT INSTRUCTION SHEET FOR INSTALLATION OF EITHER THE "C" PULL HANDLE OR "C" TOWEL BAR COMBO.

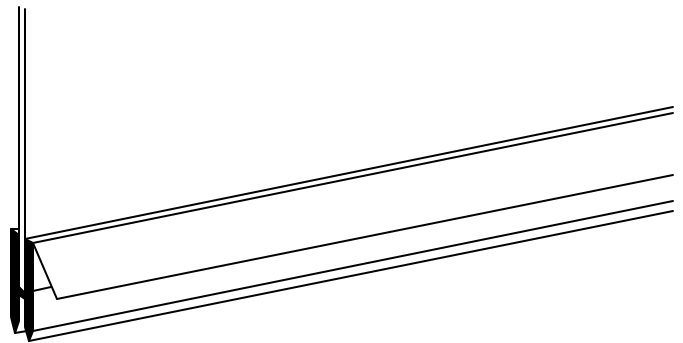


10 **NOTE:** The deflector is notched on both ends. To install deflector, determine if the door is hinge right or hinge left.



11

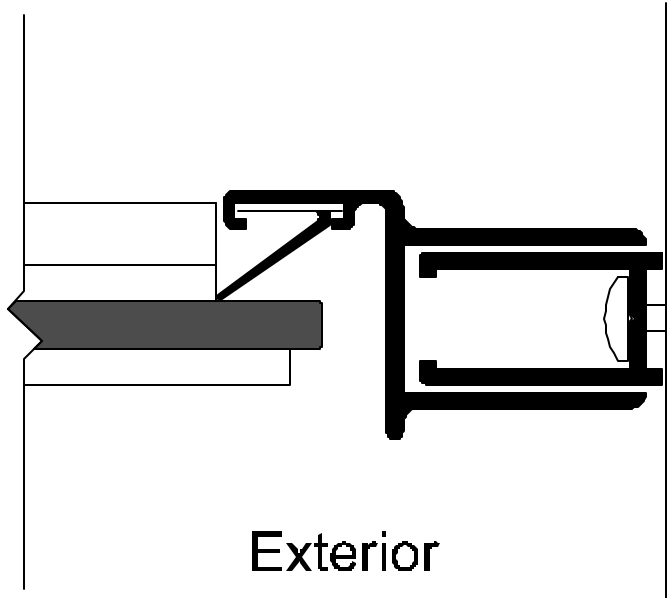
Align the deflector to the bottom of the door with the hinge side notch overlapping the hinge, then mark the strike side even with the door edge cut deflector at that point.



Interior

12

Place the deflector onto the bottom of the door and from inside the shower, close the door and mark the deflector at the edge of the strike jamb. Open the door and remove the deflector. Notch the inside portion of the deflector so the door will close to the strike jamb. Replace the deflector back on the door; close the door to check for clearance.



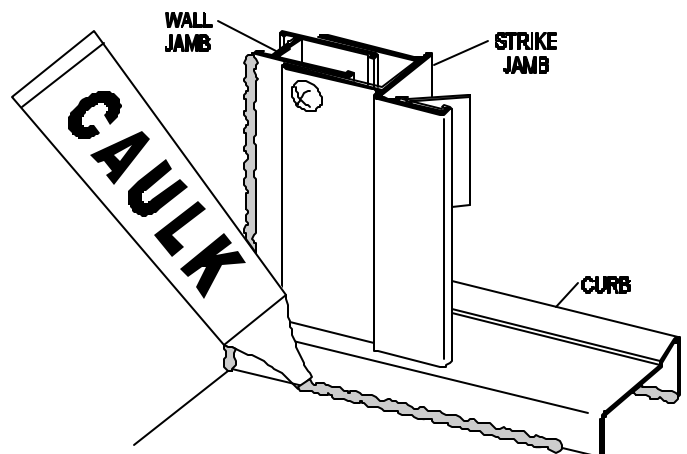
Exterior

13

Neatly caulk the inside perimeter of the shower curb and the hinge and strike jambs.

NOTE: Improper caulking will result in leaks.

NOTE: The caulking should be allowed to cure for twenty-four hours before using your new shower enclosure.



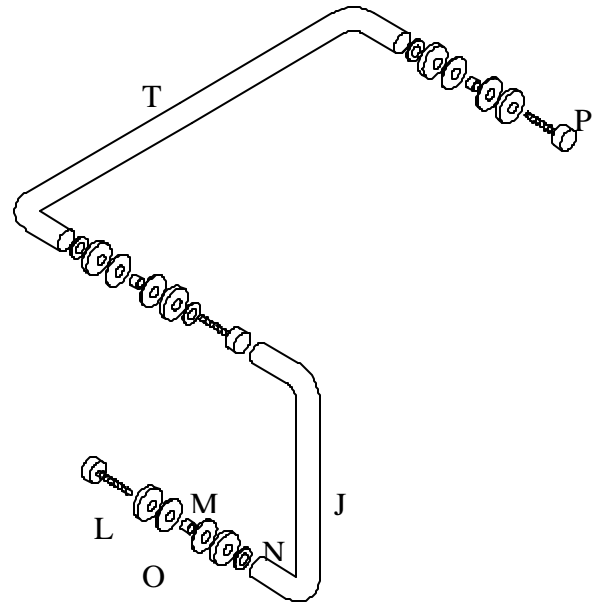
INSTALLATION INSTRUCTIONS – ACCESSORIES

Combination Door Pull and Towel Bar Installation Instructions

There are eleven hardware components for Combination Door Pull and Towel Bar mounting: Six 1-1/4" style washers; one towel bar; one pull; two end caps with threaded studs; one stud head screw. In addition to these hardware parts, there are six clear gaskets that act as a buffer between the hardware and the glass.

STEP 1 Take the stud head screw and sleeve a 1-1/4" style washer on it. Now take both end caps with a stud protruding and sleeve a 1-1/4" style washer on them. Sleeve a clear gasket on each of the screws.

STEP 2 The towel bar will be mounted first. Take the stud head screw with the washer and gasket attached, and from the inside of the enclosure push the threaded portion through the top hole in the glass on the strike side of the door. Place a clear gasket, then a 1-1/4" style washer over the stud head screw on the outside of the glass door. Now thread the stud head screw into the towel bar and tighten. On the other end of the towel bar (on the hinge side), push one of the end caps with the stud protruding through the hole. Now place a clear gasket, then a 1-1/4" style washer over the threaded stud on the outside of the glass door. Thread the end cap into the towel bar and tighten by hand. Tighten both components down, the stud head screw with a screwdriver, and the end cap by hand.



J Exterior handle	(1)
T Towel bar	(1)
L SC4584 Metal washers	(6)
M SC4585 Large clear discs	(6)
N SC4586 Small clear discs	(6)
O SC4587 Glass hole sleeve	(3)
P SCR1588 Stud screws	(3)

STEP 3 The towel bar is now complete and it is time to mount the pull portion. From outside the enclosure, push the end cap with the stud protruding through the bottom hole of the door. First place a clear gasket, then a 1-1/4" style washer over the threaded stud on the inside of the glass door. Now thread the stud into the small threaded opening of the pull. Do not tighten this end of the pull down at this time. Place the end of the pull with the large hole and the set screw over the stud head. Now tighten the end cap by hand as tight as possible. Use the Allen wrench provided to tighten the set screw on the pull to the stud head screw.

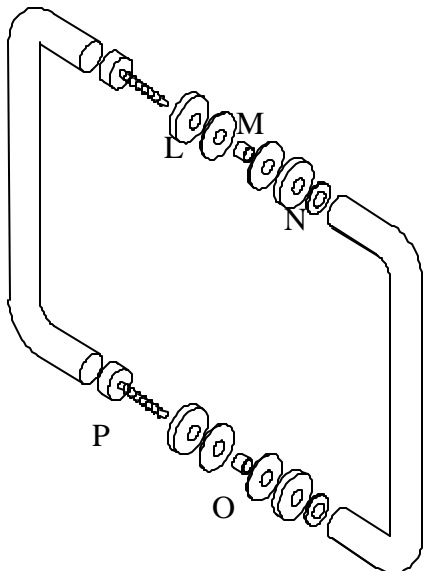
Back-To-Back Door Pull or Towel Bar Mounting Instructions

There are six hardware components for back-to-back mounting: two pulls and four 1-1/4" diameter style washers. In addition to these hardware parts, there are four clear gaskets and two stud head screws. A decision must be made at this time as to the location of the half of the pull that contains the set screws. Most put the set screws to the outside of the enclosure, so they are not exposed to direct water contact. These instructions will address this application.

STEP 1 Take the two stud head mounting screws and sleeve on 1-1/4" style washer on each screw. Next, sleeve one of the clear gaskets onto the screw. From the outside of the enclosure, push the thread of the screw through the hole in the glass. On the inside of the enclosure, sleeve a clear gasket onto the threads of the screw. Place the 1-1/4" style washer over the threads and onto the glass.

STEP 2 Take the pull that has the smaller threaded holes in each end and begin to thread the screw into it. Line up the other end of the pull with the other screw and begin to thread it through as well. Tighten both screws to "finger-tightness", then tighten the stud head screws down permanently with a screwdriver.

STEP 3 Place the remaining pull, with the large holes in each end as well as a set screw, onto the stud heads of the screws. Tighten the set screws with the Allen wrench provided.



- J SC1417 Interior & Exterior handle (1 ea.)
- K
- L SC4584 Metal washers (4)
- M SC4585 Large clear discs (4)
- N SC4586 Small clear discs (4)
- O SC4587 Glass hole sleeve (2)
- P SCR1588 Stud screws (2)